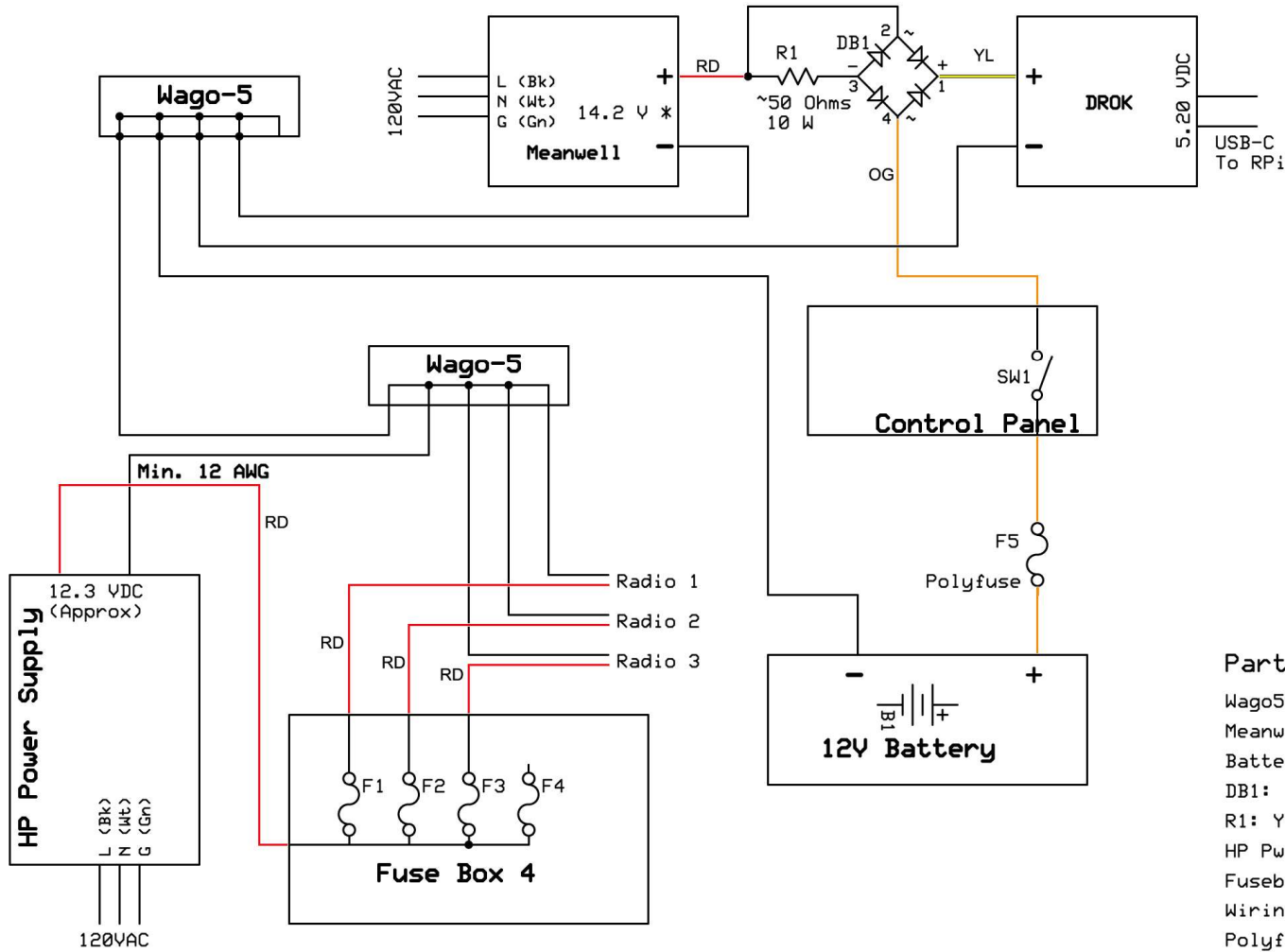


\*Adjust output for 13.5 to 13.8 V  
at disconnected battery terminals



Size fuses for 150% of expected radio current draw

Recommended:  
Anderson PowerPoles for Radios  
Ring Terminal for Fuse Box (#10 stud)  
See <https://tinyurl.com/TARPNPower>

### Parts List

- Wago5: Wago 221-415 5-pos lever nut (x2)
- Meanwell: RS-15-15 Power Supply\*
- Battery: PS-1202 12V 2.5Ah
- DB1: Rectron BR62 (5A 30V Full-wave Bridge)
- R1: Yageo FMP200JR-52-47R (~50 Ohm 2W resistor)
- HP Pwr Supp: eBay, 750W or more, 12V
- Fusebox: Amazon B07LGVXCMN 4-way fuse box
- Wiring: 18AWG or larger unless specified
- Polyfuse: Littlefuse 30R185UU (30V 1.85A hold current)
- Control Panel: Contact KA2DEW
- DROK: DC-DC Buck Converter, Amazon B07N3QT628

\*See Instructions for alternative

<b>TARPN</b>		
<b>Node Box Wiring - 3 Port</b>		
de N2IRZ	Rev 1.0	Page 1 of 1
	12/18/2024	